

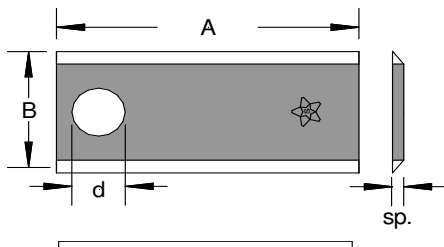
# COLTELLI PER FALCIATRICI ROTATIVE

[www.stellalame.com](http://www.stellalame.com)



**COLTELLI PER FALCIATRICI ROTATIVE - ROTARY MOWER KNIVES**  
**ROTOR KLINGEN - COTEAUX DE FAUCHEUSES ROTATIVES**  
**CUCHILLAS PARA SEGADORAS ROTATIVAS - НОЖИ ДЛЯ РОТОРНОЙ КОСИЛКИ**

**DIRITTO - STRAIGHT**  
**GERADE - DROIT - DERECHO - Прямой**

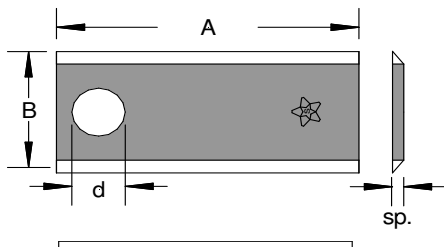


CODICE STELLA					APPLICAZIONE	ADATTABILI A ORG
D	A	B	d	sp.		
D	83	40	19	3	FAHR KRONE KRONE	1.1019.010.282.00 1431490 1372 242 7
D	88	40	19	3	CLAAS FAHR FAHR FELLA GARNIER KRONE KRONE LINCE NIEMEYER PÖTTINGER RS WELGER ZWEEGERS	977.516.0 0653 1543 1-1019-010-271.20/88 477 741 4460101001 141071.0 143149.3 088 D 11.065 434992 15 01 331 0982.1501.00 MT 52
D	90	40	19	3	CLAAS FAHR FAHR (NEW) FELLA IHC IHC KRONE NIEMEYER NIEMEYER PÖTTINGER RASSPE RASSPE WELGER ZWEEGERS	977 516.0 1-1019-010-271.20/90 0656 1543 477 741 1133937 R1 3101549 R1 143 149 4 570 400 11.065 434992 1.501.331 80-10-46 0982.15.01.00 MT 52S
D	94	40	19	3	CLAAS FAHR FAHR (NEW) FARENDLOSE NIEMEYER RASSPE	978 186.0 1-1012-030-115.00 0656 1542 00.0114.054 11.079 RS 20.01.331
D	94	40	16,25	3	KUHN NEW HOLLAND NEW HOLLAND	561.500.00 549 757 274 230



**COLTELLI PER FALCIATRICI ROTATIVE - ROTARY MOWER KNIVES**  
**ROTOR KLINGEN - COTEAUX DE FAUCHEUSES ROTATIVES**  
**CUCHILLAS PARA SEGADORAS ROTATIVAS - НОЖИ ДЛЯ РОТОРНОЙ КОСИЛКИ**

**DIRITTO - STRAIGHT**  
**GERADE - DROIT - DERECHO - Прямой**

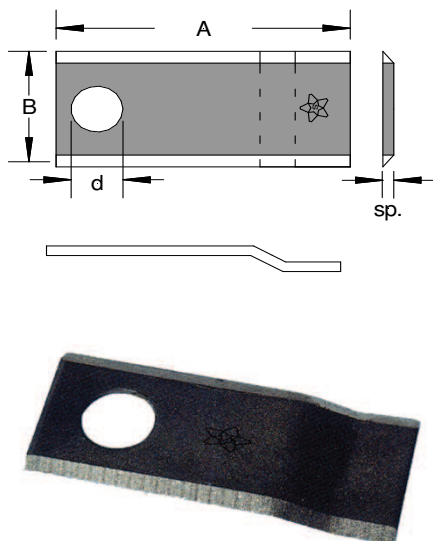


CODICE STELLA					APPLICAZIONE	ADATTABILI A ORG
	A	B	d	sp.		
D	96	40	19	3	CASE CLAAS FARENDLOSE FAHR (NEW) FAHR FELLA FELLA IHC IHC (JI CASE) KRONE NIEMEYER PÖTTINGER PÖTTINGER PZ MT WELGER	113 3941 R1 978 241.4 00-011-054 0656 1542 1.1012.030.115.00 477 740 116 954 3101547 R1 1133936 R1 143698.0 570 404 434 991 700 06 165 0 452 S 09821506.00
D	98	40	19	3	BCS FAHR FARENDLOSE FORT GALFRE' MARANGON MORRA	580.29045.4 671 36/49 00.011.069 98D 98D 98D 98D
D	100	40	19	3	BCS FAHR	580 29045
D	108	40	19	3	MORRA	108/D
D	96	48	21	3	SIP	152 147 607
D	100	48	19	3		
D	100	48	21	3		
D	105	48	21	3	HAGEDORN SIP ZWEEGERS	1 4 7040 151019702 CM15
D	108	48	21	3	BELLON BELLON GALFRE' MORRA MARANGON NEW HOLLAND PZ	1803364 108D 108D 108D 108D 495 806 CM15 = 108D
D	108	48	19	3	GALFRE'	108D/19
D	96	40	19	4	CLAAS CLAAS JF FREUDENDAHL FELLA FELLA	949 240.0 949 240 .1 130-0025 477 762 116 956
D	108	40	19	4	GALFRE'	108D/19
D	102	45	16,5	4		
D	123	45	18,2	4	KUHN	564.512.10
D	105	48	19	4	FELLA	122.331
D	108	48	19	4	FORTSCHRITT	0310 4179 504



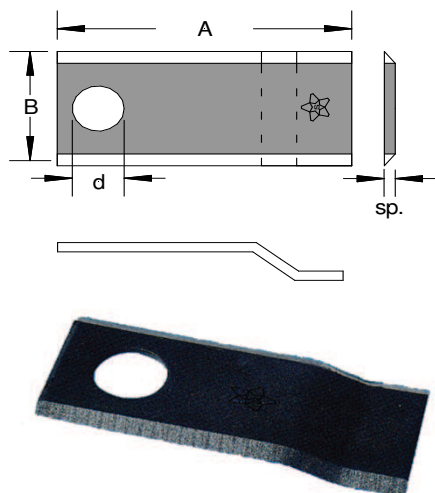
**COLTELLI PER FALCIATRICI ROTATIVE - ROTARY MOWER KNIVES**  
**ROTOR KLINGEN - COTEAUX DE FAUCHEUSES ROTATIVES**  
**CUCHILLAS PARA SEGADORAS ROTATIVAS - НОЖИ ДЛЯ РОТОРНОЙ КОСИЛКИ**

**PIEGATO NORMALE - NORMAL BENDED**  
**NORMAL GEBOGEN - PLIE' NORMALE - DOBLADA**  
**Изогнутый**



CODICE STELLA					APPLICAZIONE	ADATTABILI A ORG
	A	B	d	sp.		
PN	88	40	19	3	LINCE SUPERTINO	90P 88 P
PN	90	40	19	3	LINCE	90/P
PN	94	40	19	3	BELLON FAHR MORRA MARANGON	1-1017-010-153.22 94 P
PN	96	40	19	3	FAHR FAHR (NEW) FELLA FELLA IHC PÖTTINGER ZWEEGERS	1-1017-010-153.00 0656 1541 478 962 = 478.963 124 243 1133938R1 434993 TT97
PN	98	40	19	3	FAHRENDLOSE FELLA FORT FAHR GALFRE' MARANGON MORRA	00-11-07 124243 98P 98P 98P 98P
PN	108	40	19	3		
PN	105	48	21	3		
PN	108	48	19	3	GALFRE' BELLON GALFRE' NEW HOLLAND	108P 1803365 108P 495 807
			21			

**PIEGATO FORTE - STRONG BENDED**  
**STARK GEBOGEN - FORT PLIE' - DOBLADA FUERTE**  
**Сильно изогнутый**

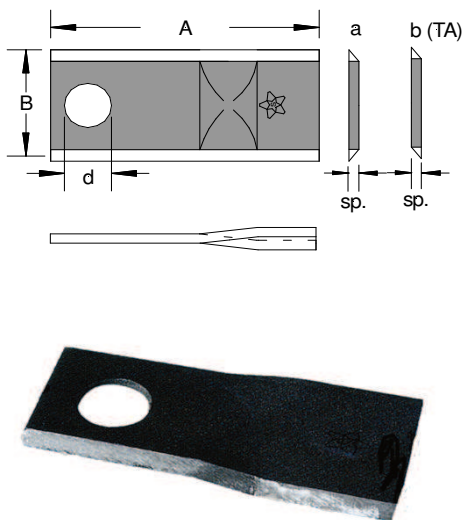


CODICE STELLA					APPLICAZIONE	ADATTABILI A ORG
	A	B	d	sp.		
PF	96	40	19	3	SUPERTINO P.F.	
PF	98	40	19	3		
PF	108	50	17	4	MAXAM	



**COLTELLI PER FALCIATRICI ROTATIVE - ROTARY MOWER KNIVES**  
**ROTOR KLINGEN - COTEAUX DE FAUCHEUSES ROTATIVES**  
**CUCHILLAS PARA SEGADORAS ROTATIVAS - НОЖИ ДЛЯ РОТОРНОЙ КОСИЛКИ**

**ELICOIDALE - HELICOIDAL**  
**SCHRAUBENFORMIG - HELICOIDAL - Винтовой**

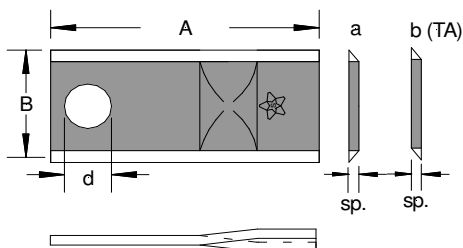


CODICE STELLA					APPLICAZIONE	ADATTABILI A ORG	LATO	
EL	A	B	d	sp.				
EL 88	88	40	16,25	3	a	KUHN	561.510.00	SX
					a	KUHN	561.511.00	DX
EL 90	90	40	19	3	b	WELGER	0982.15.08.00	SX
					b	WELGER	0982.15.09.00	DX
EL 93	93	40	16,25	3	a	CASE	113 3939	SX
						CASE	113 3940	DX
						GASPARDO	513	SX
						GASPARDO	512	DX
						IHC (JI CASE)	1133939R1	SX
						IHC (JI CASE)	1133940R1	DX
						IHC (JI CASE)	3160419R1	SX
						IHC (JI CASE)	3160420R1	DX
						JOHN DEERE	CC 19 336	SX
						JOHN DEERE	CC 19 333	DX
						KUHN	561.512.00	SX
						KUHN	561.513.00	DX
						NEW HOLLAND	274 096	SX
						NEW HOLLAND	274 097	DX
PÖTTINGER	716.06.034.0	SX						
PÖTTINGER	716.06.035.0	DX						
SOMECA	395 615 12	SX						
SOMECA	395 615 13	DX						
ZWEEGERS-PZ	DM 155	SX						
ZWEEGERS-PZ	DM 160	DX						
EL 94	94	40	19	3	b	KRONE	147 419 5	SX
						KRONE	147 302 5	DX
						NEW HOLLAND	402 244	SX
						NEW HOLLAND	402 243	DX
EL 96	96	40	19	3	a	FAHR	1.1603.010.197.00	SX
						FAHR	1.1603.010.198.00	DX
						FAHR	0656 1547	SX
						FAHR	0656 1546	DX
						FAHR	1650 2727	SX
						FAHR	1650 2726	DX
						PÖTTINGER	434 996	SX
						PÖTTINGER	434 995	DX
EL 100	100	40	19	3	b	BCS	58029096	SX
						BCS	58029095	DX
						GRIBALDI & SALVIA	26013/S	SX
						GRIBALDI & SALVIA	26013/D	DX
EL 93	93	48	19	3	b	KRONE	151 386 0	SX
						KRONE	151 385 0	DX
						KRONE	145 869 1	SX
						KRONE	145 868 1	DX



**COLTELLI PER FALCIATRICI ROTATIVE - ROTARY MOWER KNIVES**  
**ROTOR KLINGEN - COTEAUX DE FAUCHEUSES ROTATIVES**  
**CUCHILLAS PARA SEGADORAS ROTATIVAS - НОЖИ ДЛЯ РОТОРНОЙ КОСИЛКИ**

**ELICOIDALE - HELICOIDAL**  
**SCHRAUBENFORMIG - HELICOIDAL - Винтовой**

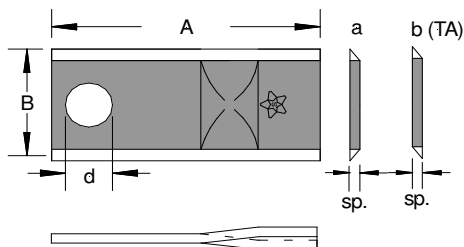


CODICE STELLA					APPLICAZIONE	ADATTABILI A ORG	LATO		
	A	B	d	sp.					
EL	94	48	19	3	b	CLAAS	104.339.0	SX	
						CLAAS	104.340.0	DX	
						KRONE	151386.0	SX	
						KRONE	151385.0	DX	
						NIEMEYER	570 409	SX	
						NIEMEYER	570 410	DX	
EL	100	48	19	3	b	ZWEEGERS	TF 70	SX	
						ZWEEGERS	TF 71	DX	
						a	FELLA	121 692	SX
							FELLA	121 693	DX
							CLAAS	952 729.0	SX
							CLAAS	952 728.0	DX
CLAAS	904.178.6	SX							
CLAAS	904.177.6	DX							
EL	105	48	19	3	b	CLAAS	904.178.7	SX	
						CLAAS	904.177.7	DX	
						CLAAS	904.797.0	SX	
						CLAAS	904.796.0	DX	
						FORTSCRITT	0301 1680	SX	
						FORTSCRITT	0301 1697	DX	
			21			NIEMEYER	570 413	SX	
						NIEMEYER	570 414	DX	
						NIEMEYER	570 419	SX	
						NIEMEYER	570 418	DX	
						PÖTTINGER	434983	SX	
						PÖTTINGER	434984	DX	
EL	108	48	19/21	3	a	CLAAS	904 178.8	SX	
						CLAAS	904 177.8	DX	
						ZWEEGERS	DN 382	SX	
						ZWEEGERS	DN 383	DX	
						CLAAS	104 266.0	SX	
						CLAAS	104 267.0	DX	
EL	110	48	21	3	a	KVERNELAND	CM 137	SX	
						KVERNELAND	CM 138	DX	
EL	110	48	21	3	b	ZWEEGERS	CM 137	SX	
						ZWEEGERS	CM 138	DX	
EL	108	40	19/21	4	b	GALFRE'	108 EL	SX	
						GALFRE'	108 EL	DX	
EL	110	48	21	3	a	CLAAS	105 878.0	SX	
						CLAAS	105 873.0	DX	
EL	110	48	21	3	b	COMER	0404 7016	SX	
						COMER	0404 7015	DX	
EL	94	48	19	4	b	GALFRE'		SX	
						GALFRE'		DX	
						BCS	58.031.193	SX	
						BCS	58.031.192	DX	
						KVERNELAND	TA 321	SX	
						KVERNELAND	TA 322	DX	
EL	94	48	19	4	b	PZ / ZWEEGERS	TA-321	SX	
						PZ / ZWEEGERS	TA-322	DX	



**COLTELLI PER FALCIATRICI ROTATIVE - ROTARY MOWER KNIVES**  
**ROTOR KLINGEN - COTEAUX DE FAUCHEUSES ROTATIVES**  
**CUCHILLAS PARA SEGADORAS ROTATIVAS - НОЖИ ДЛЯ РОТОРНОЙ КОСИЛКИ**

**ELICOIDALE - HELICOIDAL**  
**SCHRAUBENFORMIG - HELICOIDAL - Винтовой**

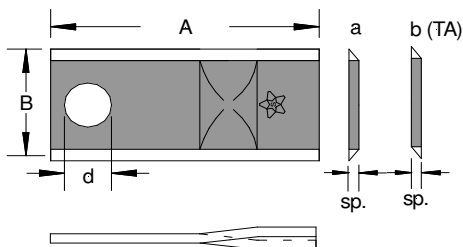


CODICE STELLA						APPLICAZIONE	ADATTABILI A ORG	LATO
EL	A	B	d	sp.				
EL 96	96	48	19	4	b	FAHR	1650 3465	SX
						FAHR	1650 3464	DX
						FAHR	1650 3460	SX
						FAHR	1650 3658	DX
						KRONE	146 690 1	SX
						KRONE	146 691 1	DX
EL 98	98	48	19	4	b	BCS	58.036.091	SX
						BCS	58.036.090	DX
						FELLA	121 712	SX
						FELLA	121 713	DX
						GRIBALDI & SALVIA	121713/SP	SX
						GRIBALDI & SALVIA	121712/SP	DX
						PÖTTINGER	434 981	SX
						PÖTTINGER	434 982	DX
						SIP	153 171 311	SX
						SIP	153 171 419	DX
EL 100	100	48	19	4	b	GRIBALDI & SALVIA	46292	SX
						GRIBALDI & SALVIA	46291	DX
						FORTSCHRITT	0300 3350	SX
						FORTSCHRITT	0300 3367	DX
						PÖTTINGER	434 973	SX
			21			PÖTTINGER	434 974	DX
						PÖTTINGER	434 977	SX
						PÖTTINGER	434 978	DX
						MARANGON	980 204.171	SX
						MARANGON	980 204.170	DX
EL 102	102	48	19	4	b	FELLA	140 693	SX
						FELLA	140 692	DX
EL 105	105	48	21	4	b	MARANGON	105	SX
						MARANGON	105	DX
EL 106	106	48	19	4	b	SITREX	110.119	SX
						SITREX	110.118	DX
						SIP	153 967 201	SX
						SIP	153 967 103	DX
						SIP	950 008 609	SX
						SIP	950 008 707	DX
						SIP	950 009 001	SX
						SIP	950 009 109	DX
						NIEMEYER	570 445	SX
						NIEMEYER	570 444	DX
						FELLA	122 329	SX
						FELLA	122 330	DX



**COLTELLI PER FALCIATRICI ROTATIVE - ROTARY MOWER KNIVES**  
**ROTOR KLINGEN - COTEAUX DE FAUCHEUSES ROTATIVES**  
**CUCHILLAS PARA SEGADORAS ROTATIVAS - НОЖИ ДЛЯ РОТОРНОЙ КОСИЛКИ**

**ELICOIDALE - HELICOIDAL**  
**SCHRAUBENFORMIG - HELICOIDAL - Винтовой**



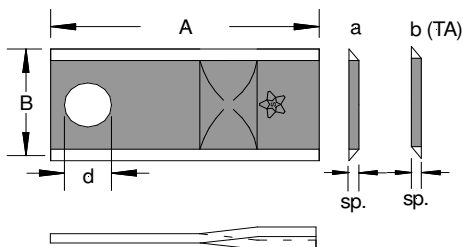
CODICE STELLA						APPLICAZIONE	ADATTABILI A ORG	LATO
	A	B	d	sp.				
EL	107	48	18,5	4	b	KVERNELAND	B 087 5002	SX
						KVERNELAND	B 087 5001	DX
						HESSTON	700.711.858	SX
						HESSTON	700.711.857	DX
						HESSTON	700.715.576	SX
						HESSTON	700.715.575	DX
EL	108	48	19	4	b	GALFRE'	434 985	SX
						GALFRE'	434 986	DX
						PÖTTINGER	434 985	SX
						PÖTTINGER	434 986	DX
						FORTSCRITT	0301 5161	SX
						FORTSCRITT	0301 5145	DX
		NIEMEYER	570 679 - 570 683		SX			
		NIEMEYER	570 680 - 570 684		DX			
		GRIBALDI & SALVIA	46362		SX			
		GRIBALDI & SALVIA	46363		DX			
		PÖTTINGER	434 971		SX			
		PÖTTINGER	434 972		DX			
a	SITREX	100.366	SX					
	SITREX	100.367	DX					
EL	110	48	21	4	b	MARANGON	110 MEL	SX
						MARANGON	110 MER	DX
EL	112	48	19	4	b	KRONE	139 888 0	SX
						KRONE	139 889 0	DX
						FELLA	123 706	SX
						FELLA	123 707	DX
						FELLA	131 117	SX
						FELLA	131 118	DX
						FELLA	134 309	SX
						FELLA	134 308	DX
						STOLL	1122350	SX
						STOLL	1122360	DX
						J.F.	1380-0015	SX
						J.F.	1380-0014	DX
EL	112	48	21	4	b	PÖTTINGER	434 969	SX
						PÖTTINGER	434 970	DX
EL	115	48	19	4	b	CLAAS	952.043.0	SX
						CLAAS	952.042.0	DX
EL	120	48	18,5	4	b	FELLA	111 724	SX
						FELLA	111 725	DX
						FELLA	478 640	SX
						FELLA	478 641	DX
						JOHN DEERE	CC 21780	SX
						JOHN DEERE	CC 21781	DX





**COLTELLI PER FALCIATRICI ROTATIVE - ROTARY MOWER KNIVES**  
**ROTOR KLINGEN - COTEAUX DE FAUCHEUSES ROTATIVES**  
**CUCHILLAS PARA SEGADORAS ROTATIVAS - НОЖИ ДЛЯ РОТОРНОЙ КОСИЛКИ**

**ELICOIDALE - HELICOIDAL**  
**SCHRAUBENFORMIG - HELICOIDAL - Винтовой**

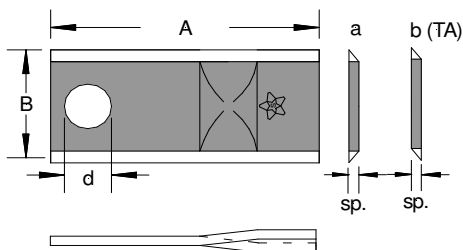


CODICE STELLA						APPLICAZIONE	ADATTABILI A ORG	LATO
	A	B	d	sp.				
EL	120	48	18,5	4	b	KVERNELAND	B 191 9802	SX
						KVERNELAND	B 191 9902	DX
						LELY	4.1201.1473.0	SX
						LELY	4.1201.1474.0	DX
						LELY	9.1127.0003.2	SX
						LELY	9.1127.0004.3	DX
						NEW IDEA	526 216	SX
						NEW IDEA	526 215	DX
						NEW HOLLAND	444 266	SX
						NEW HOLLAND	444 267	DX
						NEW HOLLAND	784 220	SX
						NEW HOLLAND	784 221	DX
PÖTTINGER	434 988	SX						
PÖTTINGER	434 989	DX						
VICON	58 699 = 90258699	SX						
VICON	58 700 = 90258700	DX						
EL	95	45	16,25	3,5	a	JOHN DEERE	CC 20 500 = 19336	SX
						JOHN DEERE	CC 20 501 = 19333	DX
						KUHN	561.512.10	SX
						KUHN	561.513.10	DX
NEW HOLLAND	766 726	SX						
NEW HOLLAND	766 727	DX						
EL	98	45	16,25	3,5	a	FORT	4049 0006	SX
						FORT	4049 0005	DX
						MORRA		SX
MORRA		DX						
EL	107	45	21	4	a	BELLON	183 2532	SX
						BELLON	183 2533	DX
						BELLON	559 032 010 /21	SX
						BELLON	559 033 010 /21	DX
						ENOROSSI	12881270	SX
						ENOROSSI	12881271	DX
EL	107	45	18,25	4	a	FORT	40490006	SX
						FORT	49490005	DX
						JOHN DEERE	CC 26 780	SX
						JOHN DEERE	CC 26 781	DX
						KUHN	559.032.10	SX
						KUHN	559.033.10	DX
						NEW HOLLAND	853 819	SX
						NEW HOLLAND	853 820	DX
EL	112	45	21	4	b	ENOROSSI	12881434 / 18034173	SX
						ENOROSSI	12881435 / 18034193	DX
EL	116	45	18,25	4	a	JOHN DEERE	CC 23 488	SX
						JOHN DEERE	CC 23 499	DX
						KUHN	559.060.00	SX
						KUHN	559.061.00	DX
						NEW HOLLAND	785 608	SX
NEW HOLLAND	785 609	DX						



**COLTELLI PER FALCIATRICI ROTATIVE - ROTARY MOWER KNIVES**  
**ROTOR KLINGEN - COTEAUX DE FAUCHEUSES ROTATIVES**  
**CUCHILLAS PARA SEGADORAS ROTATIVAS - НОЖИ ДЛЯ РОТОРНОЙ КОСИЛКИ**

**ELICOIDALE - HELICOIDAL**  
**SCHRAUBENFORMIG - HELICOIDAL - Винтовой**



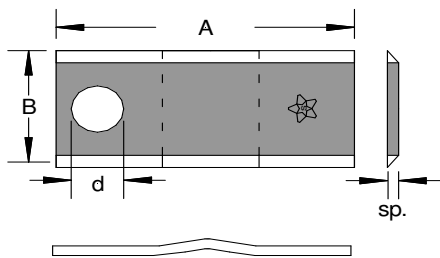
CODICE STELLA						APPLICAZIONE	ADATTABILI A ORG	LATO
	A	B	d	sp.				
EL	123	45	18,25	4	a	CLAAS	104 555.0	SX
						CLAAS	104 556.0	DX
						JOHN DEERE	CC 21 780	SX
						JOHN DEERE	CC 21 781	DX
						KUHN	564.512.00	SX
						KUHN	564.513.00	DX
EL	126	48	20,25x23	4	b	KVERNELAND	56110900	SX
						KVERNELAND	56110400	DX
						KVERNELAND	56781000	SX
						KVERNELAND	59782000	DX
						KUHN	56110900	SX
						KUHN	56110400	DX
EL	129	48	21	4	b	MARANGON	980 204.183	SX
						MARANGON	980 204.184	DX
						MARANGON	MEL 129	SX
						MARANGON	MER 129	DX
EL	105	49	21	4	TA	SAMASZ	025.05.57.00	SX
						SAMASZ	025.05.58.00	DX
EL	110	50	22,75	4	b	NEW HOLLAND	9847683	SX
						NEW HOLLAND	9847684	DX
EL	120	50	22,75	4	b	NEW IDEA / BUSH HOG	527749	SX
						NEW IDEA / BUSH HOG	527748	DX
EL	176	50	20,5	4	b	BCS	56419369	SX
						BCS	56419783	DX
EL	94	49	23	3	b	MÖRTL	T/673L	SX
						MÖRTL	T/673R	DX



**COLTELLI PER FALCIATRICI ROTATIVE - ROTARY MOWER KNIVES**  
**ROTOR KLINGEN - COTEAUX DE FAUCHEUSES ROTATIVES**  
**UCHILLAS PARA SEGADORAS ROTATIVAS - НОЖИ ДЛЯ РОТОРНОЙ КОСИЛКИ**

**PIEGATO PZ - BENDED PZ**

**GEBOGEN PZ - PLIE' PZ - DOBLADA PZ - Изогнутый PZ**



CODICE STELLA					APPLICAZIONE	ADATTABILI A ORG
	A	B	d	sp.		
PZ	105	48	21	3	BELLON PZ CM PÖTTINGER CLAAS KRONE RZS RZS ZWEEGERS GREENLAND	105 PZ 120.105 434 120 104 004.1 143 237 0 165 419500310 CM 120 CM 120
PZ	108	48	21	3	BELLON MARANGON NEW HOLLAND ZWEEGERS PZ	108 PZ CM120-108 495.807 CM 120/108
PZ	108	48	21	4	MARANGON	



**COLTELLI PER FALCIATRICI ROTATIVE - ROTARY MOWER KNIVES**  
**ROTOR KLINGEN - COTEAUX DE FAUCHEUSES ROTATIVES**  
**CUCHILLAS PARA SEGADORAS ROTATIVAS - НОЖИ ДЛЯ РОТОРНОЙ КОСИЛКИ**

